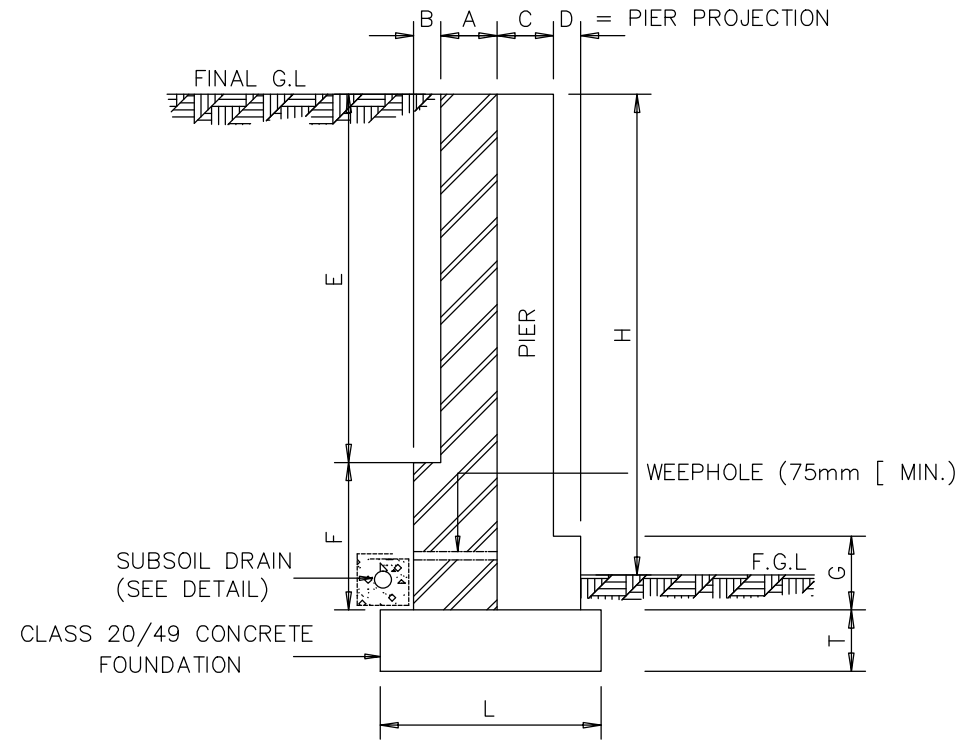


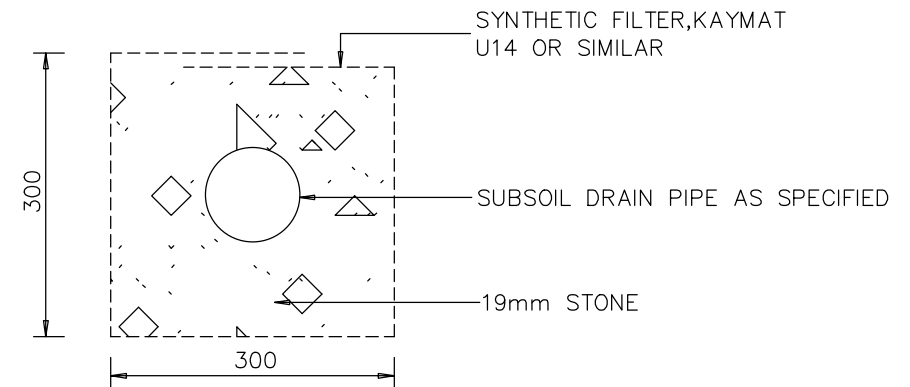
NOTES:

1. MORTAR TO BE CLASS II AND MUST CONFORM TO SABS 0164.
2. THE GROUND OR FILL BEHIND THE RETAINING WALL MUST NOT BE SUBJECTED TO SUPERIMPOSED LOADS SUCH AS TRAFFIC OR SURCHARGE OF FILL WITHIN A DISTANCE EQUAL TO THE HEIGHT OF THE WALL.
3. MOVEMENT JOINTS SHALL BE PROVIDED AT DISTANCES NOT EXCEEDING 10m.
4. SUBSOIL DRAINS SHALL BE PROVIDED BEHIND THE RETAINING WALL.
5. WEEP HOLES THROUGH THE WALL SHALL BE PROVIDED AT THE BOTTOM OF THE WALL AT 2m DISTANCES.
6. NO DAMP PROOF COURSE OR OTHER SHEET MATERIAL SHALL BE USED IN ANY RETAINING WALL.
7. BRICKFORCE MUST BE PROVIDED IN WALL EVERY THIRD COURSE.
8. WALL TIES MUST BE PROVIDED BETWEEN WALL AND PIER EVERY THIRD COURSE.
9. ALL BRICKS TO BE OF QUALITY FBSE30 TO SABS 227-1986 WITH WATER ABSORTION <14% AND EFFLORESCENE <10%.
10. ALL BRICKWORK TO BE IN ENGLISH BOND.



CLAY BRICK RETAINING WALL

HEIGHT OF WALL	WALL THICKNESS		PIER PROJECTION		PIER WIDTH	PIER SPACING	WALL HEIGHT			FOUNDATION DIMENSIONS	
	H	A	B	C			D	E	F	G	L
900	230		0	0	0	0	900	0	0	500	200
1500	230	110	0	0	0	0	900	600	0	700	250
1500	230	0	230	0	350	2500	1500	0	0	700	250
1800	230	110	230	0	350	3000	1500	300	0	900	250
2100	340	0	230	110	470	3200	1500	600	300	1000	250



DETAIL OF SUBSOIL DRAIN