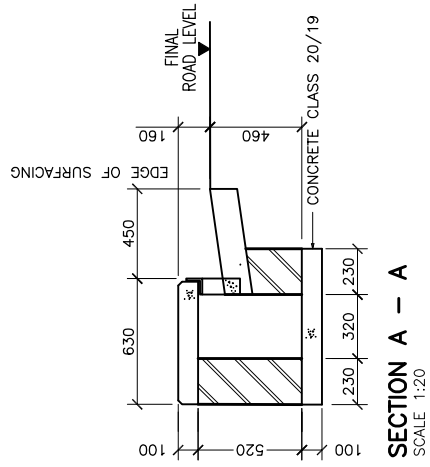


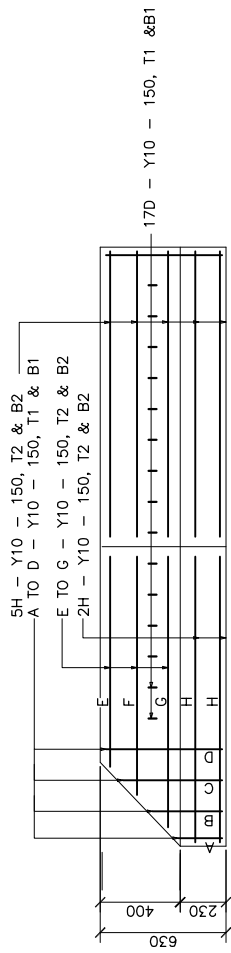
PLEASE NOTE THAT THESE DRAWINGS ARE ONLY AN INDICATION OF THE GENERAL INTENT OF THE DESIGN. THE CONTRACTOR IS RESPONSIBLE FOR CHECKING THESE DRAWINGS AND VERIFYING THE DIMENSIONS AND MATERIALS BEFORE CONSTRUCTION. THE CONTRACTOR MUST CHECK THESE DRAWINGS BEFORE THESE DRAWINGS ARE USED. THE SITE ADMINISTRATOR IS RESPONSIBLE FOR CHECKING THESE DRAWINGS BEFORE THESE DRAWINGS CAN BE PURCHASED IN DWG FORMAT.



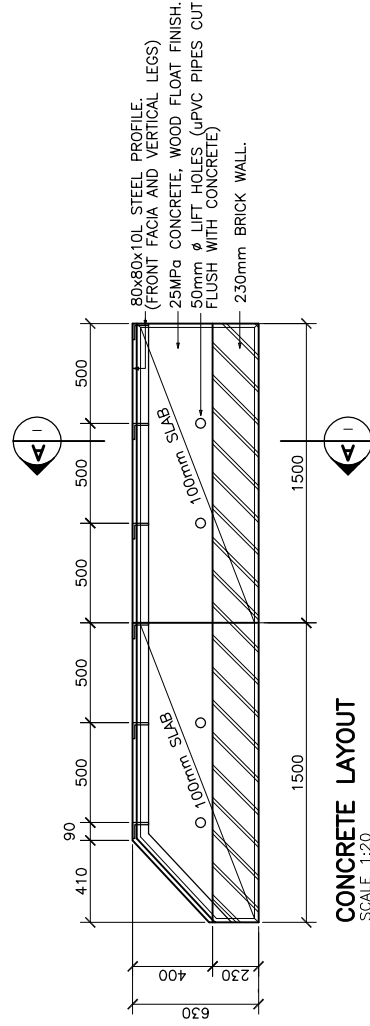
SECTION A - A
SCALE 1:20

ITEM No.	BAR MARK.	No. PER ITEM	TOTAL	BAR SIZE	BAR LENGTH	BEND
1	A	2		Y10	150	STRAIGHT
	B	2		Y10	300	STRAIGHT
	C	2		Y10	450	STRAIGHT
	D	34		Y10	550	STRAIGHT
	E	2		Y10	1050	STRAIGHT
	F	2		Y10	1200	STRAIGHT
	G	2		Y10	1320	STRAIGHT
	H	14		Y10	1450	STRAIGHT
STOOLS		30		R10	750	STRAIGHT
\downarrow 250 / 450 / 200						

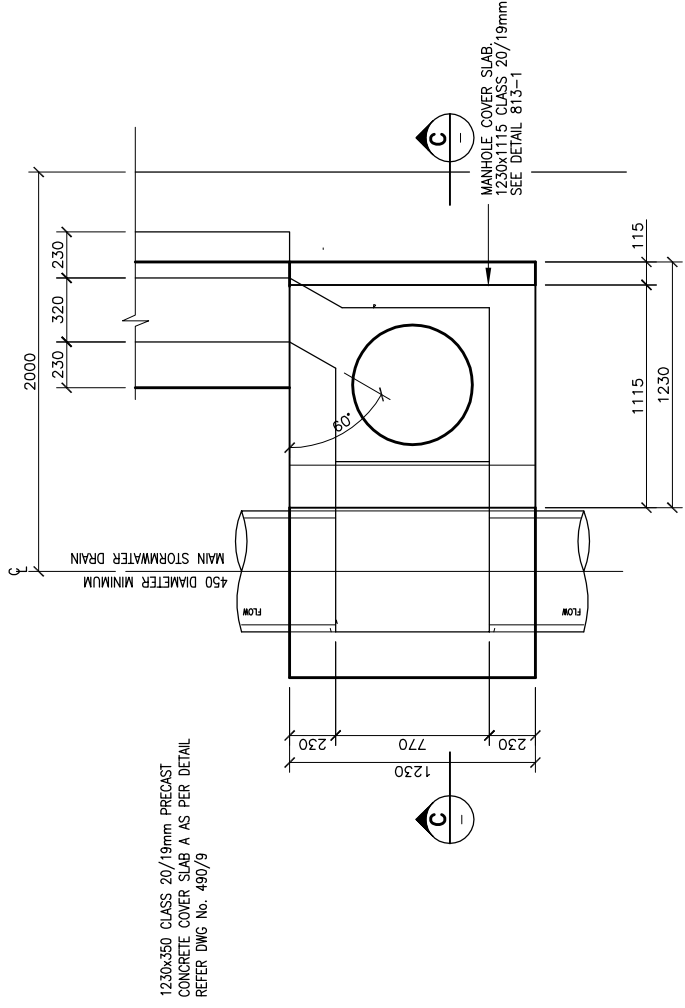
BENDING SCHEDULE FOR KERB INLET



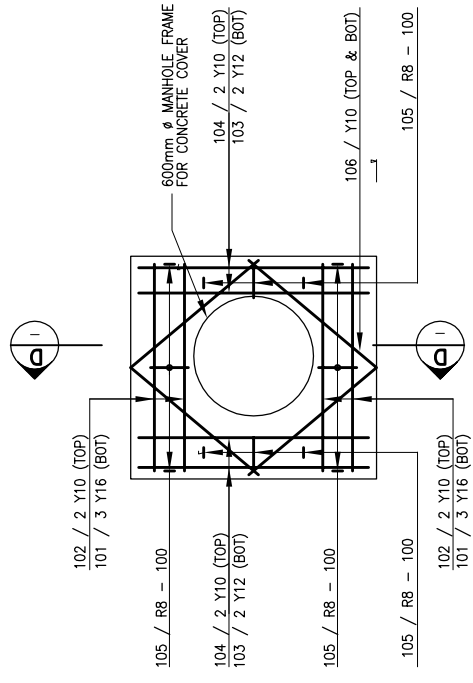
REINFORCEMENT LAYOUT
SCALE 1:20



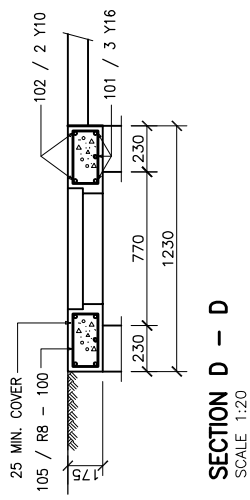
CONCRETE LAYOUT
SCALE 1:20



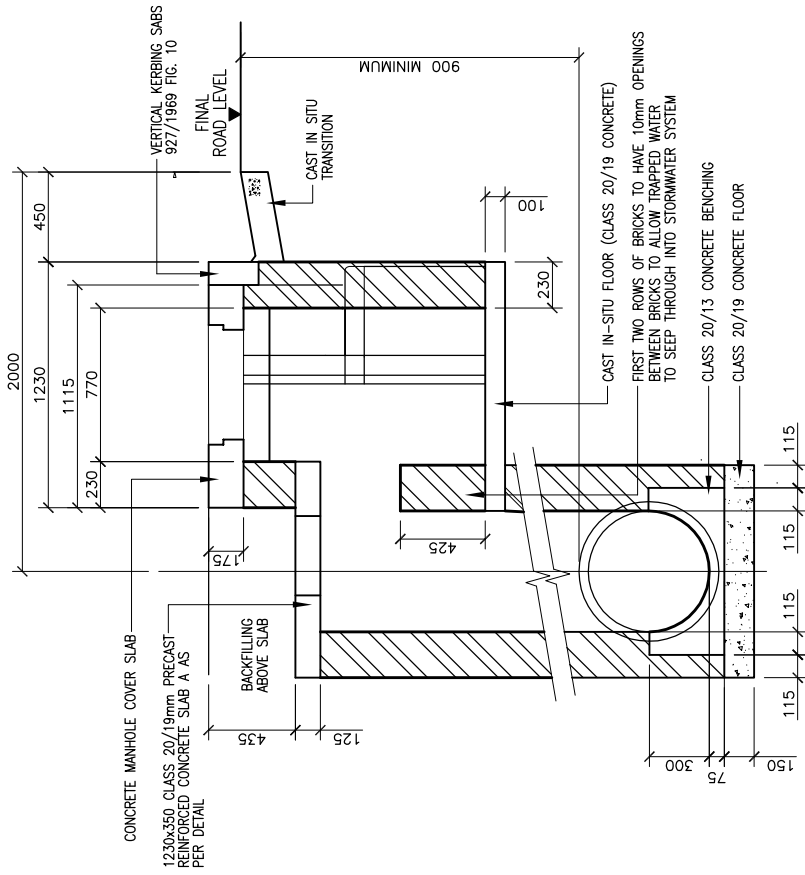
PLAN OF STORMWATER JUNCTION BOX - TYPE B
SCALE: 1:20



DETAIL 813-1
REINFORCEMENT LAYOUT
MANHOLE COVER SLAB
SCALE 1:20



SECTION D - D
SCALE 1:20



SECTION C - C
SCALE 1:20

BAR NO.	TYPE & DIA.	NO. PER UNIT	CUT LENGTH	DIMENSIONS	
				A	B
101	Y16	6	1060	20	1060
102	Y10	4	1060	20	1060
103	Y12	4	1180	20	1180
104	Y10	4	1180	20	1180
105	R8	40	710	60	180
106	Y10	8	700	20	700

PRECAST SLAB FOR CONCRETE COVER FOR JUNCTION BOXES TYPE A & B