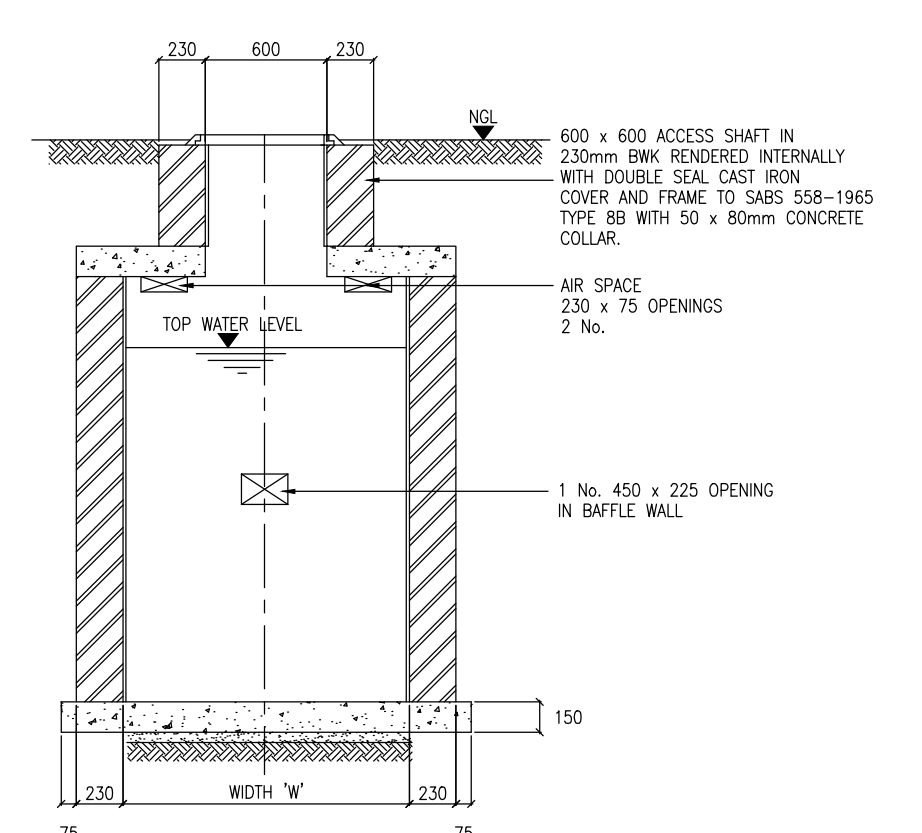
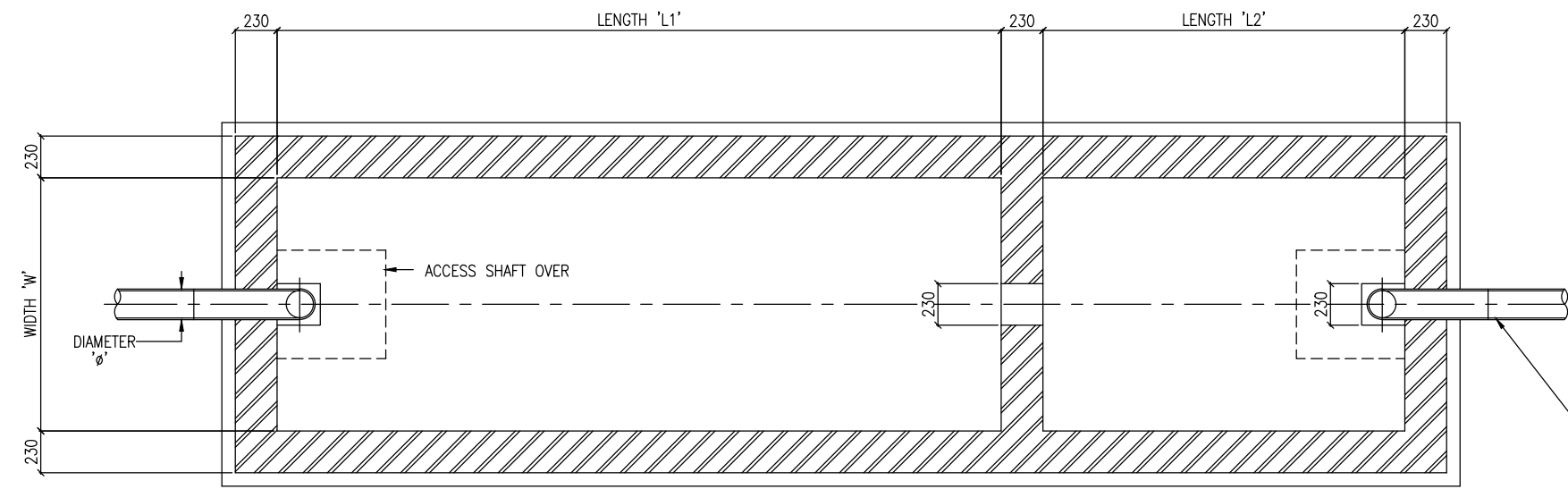


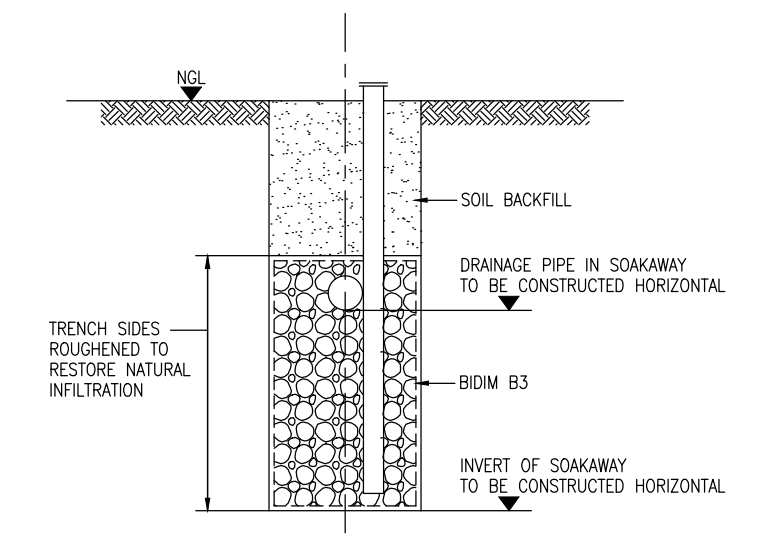
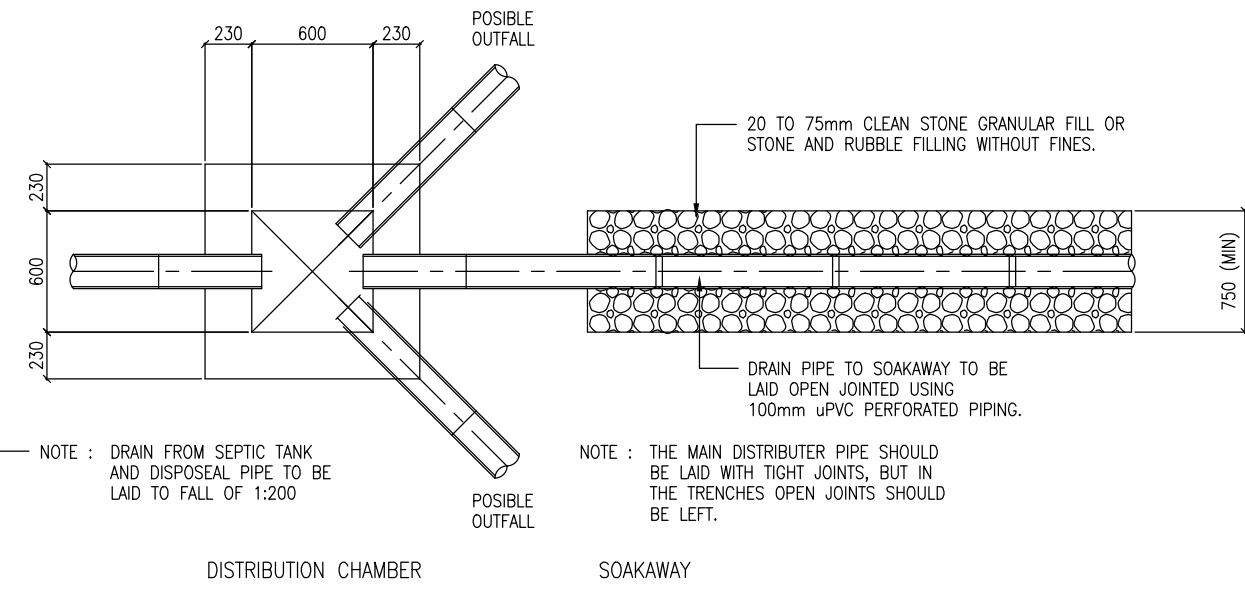
LONGITUDINAL SECTION C - C THROUGH TANK  
SCALE 1:25



SECTION A - A  
SCALE 1:25



SECTIONAL PLAN  
SCALE 1:25



SECTION B - B  
SCALE 1:25

SEPTIC TANK DETAILS					
LENGTH 'L1'	LENGTH 'L2'	WIDTH 'W'	DEPTH 'D'	DIM 'A'	DIM 'd'
(mm)	(mm)	(mm)	(mm)	(mm)	(mm)
4150	2080	1410	1700	300	600