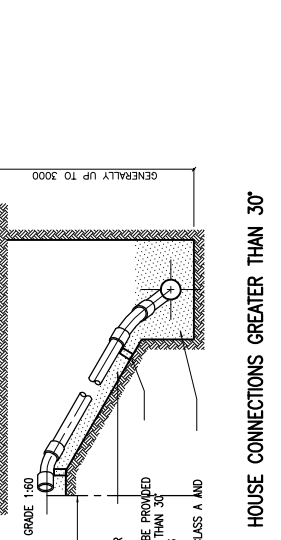
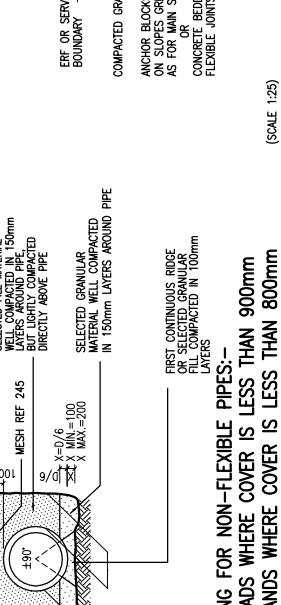
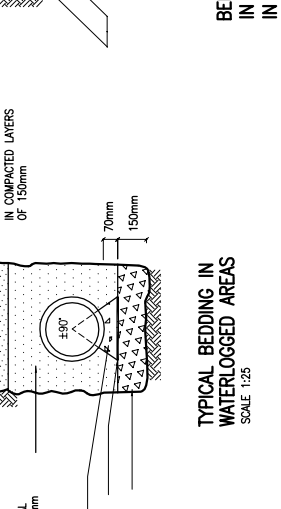
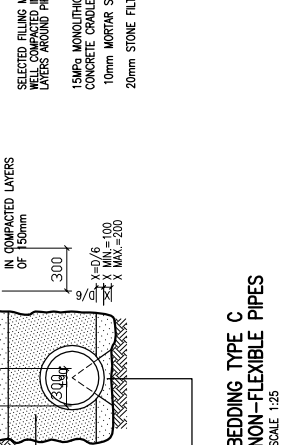
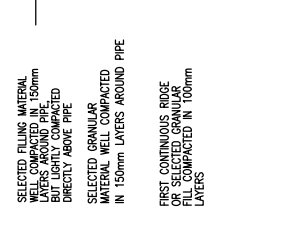
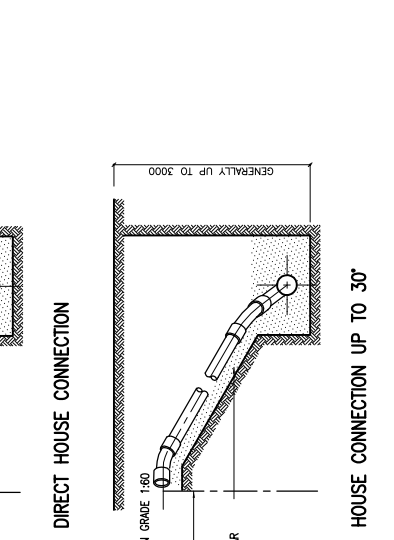
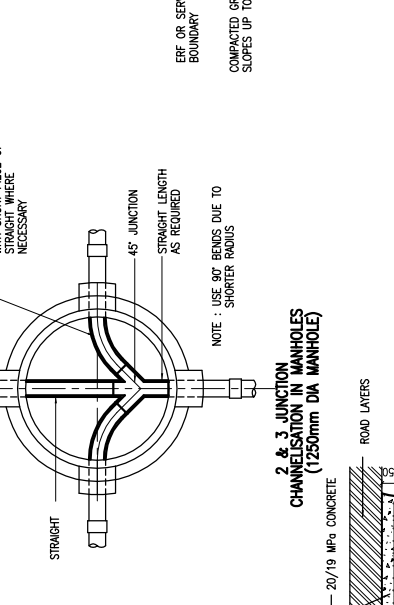
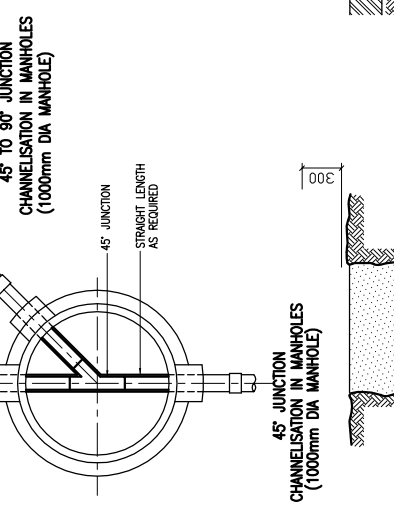
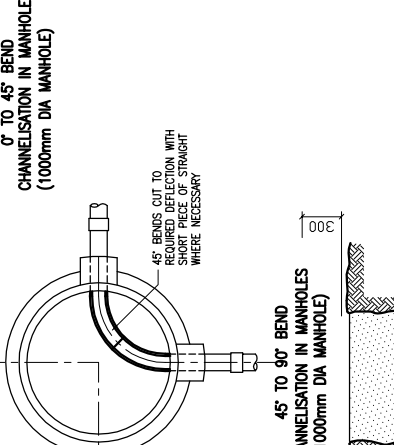
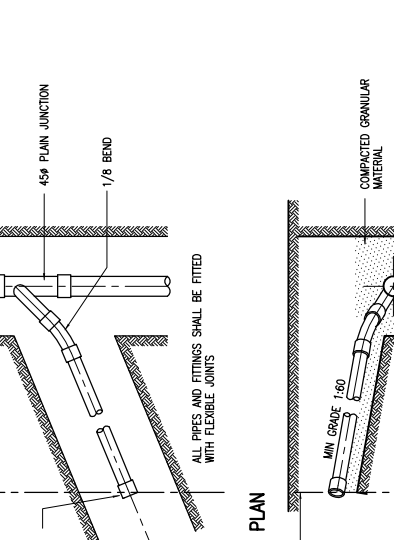
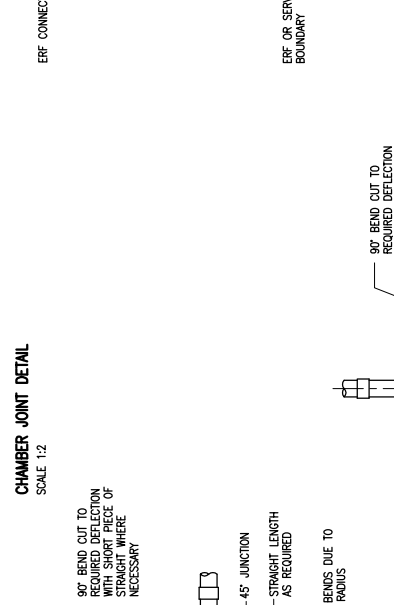
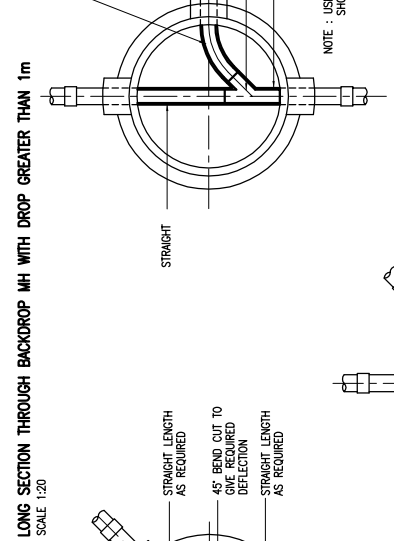
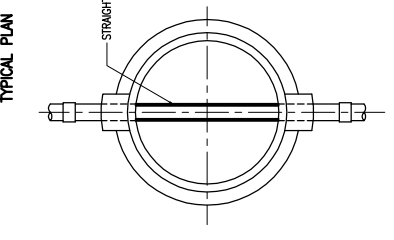
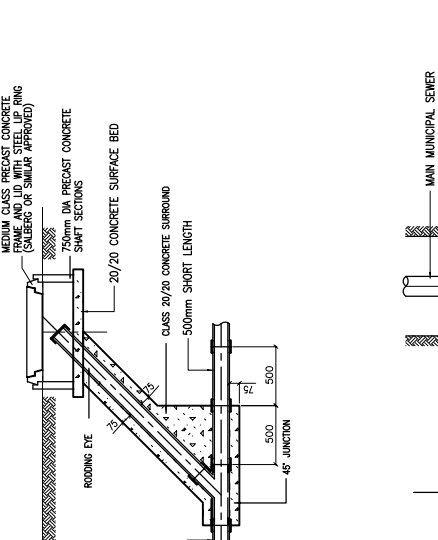
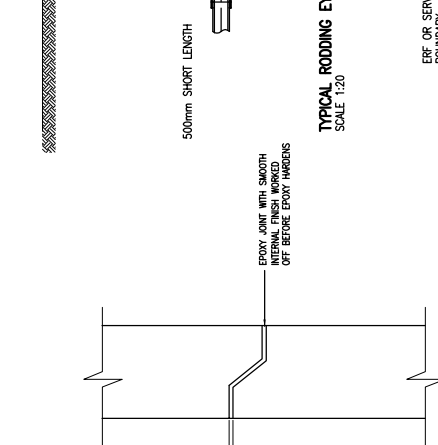
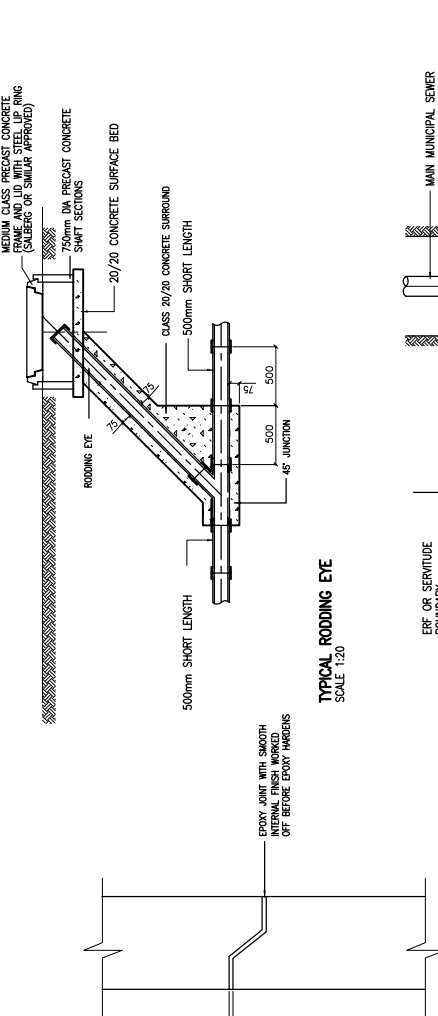
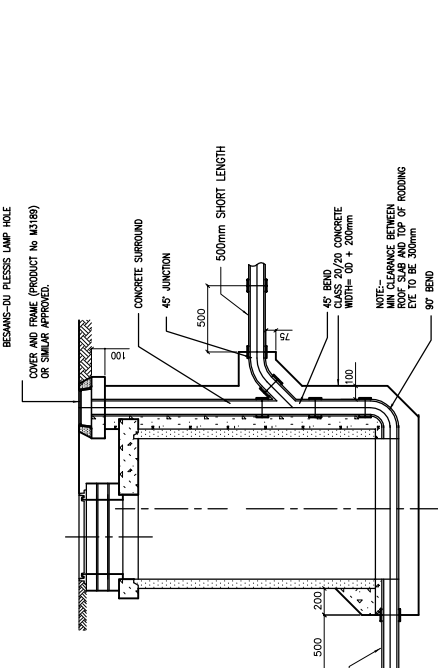
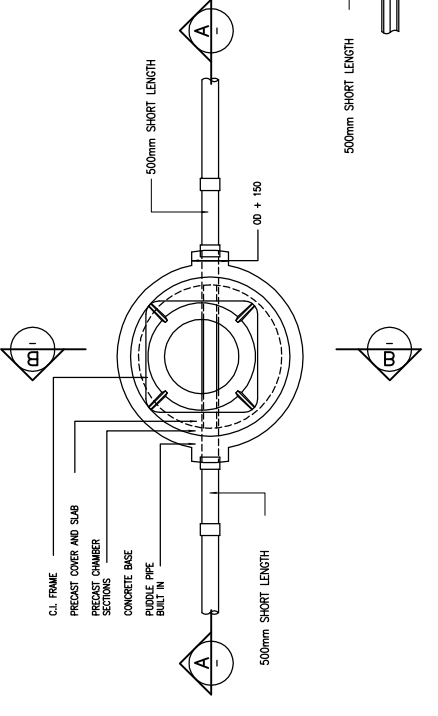
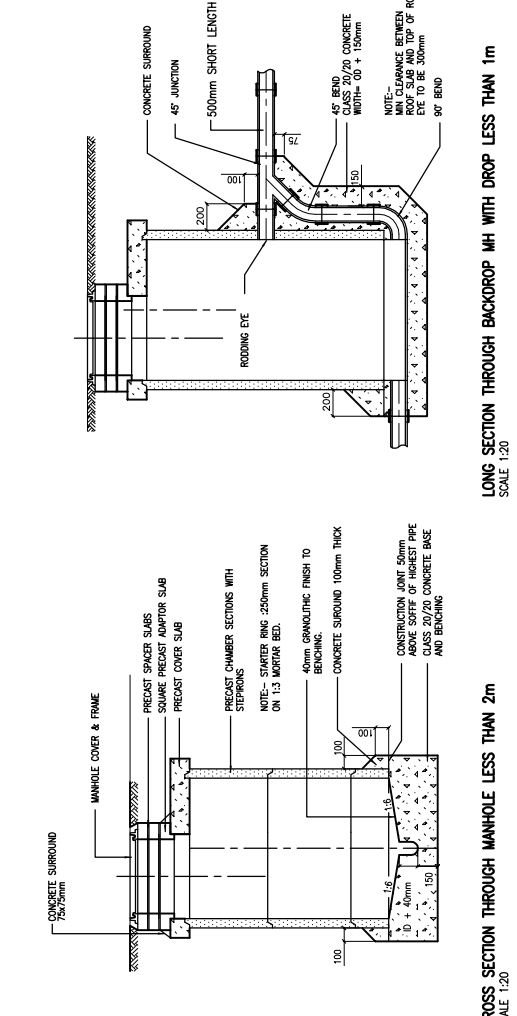
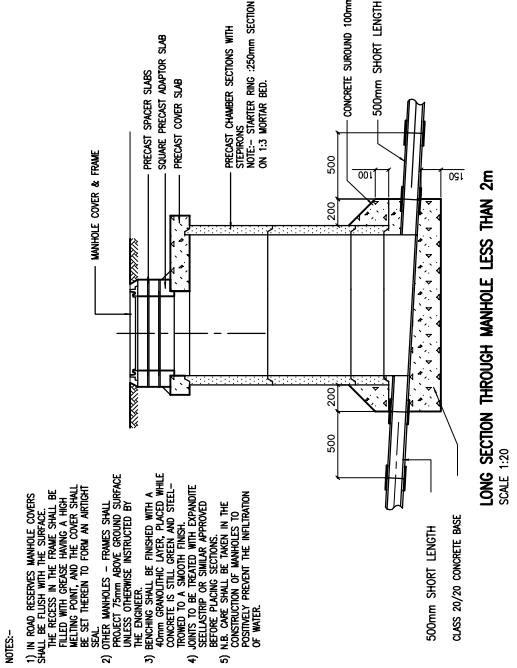
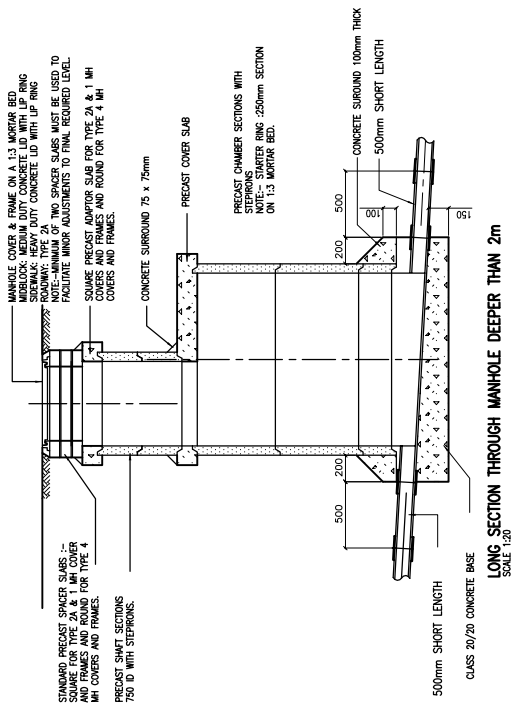


PLEASE NOTE THAT THESE DRAWINGS ARE ONLY AN INDICATION OF THE GENERAL PRINCIPLES OF THE DESIGN. THE RESPONSIBLE QUALIFIED PERSON MUST CHECK THESE DRAWINGS BEFORE THEY ARE USED. THE SITE ADMINISTRATORS MUST BE ADVISED OF ANY CHANGES TO THE DRAWINGS SO THAT THEY CAN BE PURCHASED IN DWG FORMAT.

- NOTES:-
- 1) IN ROAD RESURFACING MANHOLE COVERS SHALL BE USED TO COVER THE RECESS IN THE FRAME SHALL BE FILLED WITH GREASE HAVING AN INCH BE SET THEREIN TO FORM AN AIRTIGHT JOINT.
  - 2) OTHER MANHOLES - FRAMES SHALL BE FINISHED WITH A 1:3 MORTAR BED. CONCRETE IS STILL GREEN AND STEEL-STRIPS SHALL BE TAKEN IN THE CONSTRUCTION OF MANHOLES TO PRESENT THE INFLUENCE OF WATER.
  - 3) BENCHING SHALL BE FINISHED WITH A 1:3 MORTAR BED.
  - 4) JOINTS TO BE TREATED WITH EPXY RESIN SEALANT OR SIMILAR APPROVED.
  - 5) ALL JOINTS SHALL BE TAKEN IN THE CONCRETE SURROUND.



PLEASE NOTE THAT THESE DRAWINGS ARE ONLY AN INDICATION OF THE GENERAL PRINCIPLES OF THE DESIGN. THE RESPONSIBLE QUALIFIED PERSON MUST CHECK THESE DRAWINGS BEFORE THEY ARE USED. THE SITE ADMINISTRATORS MUST BE ADVISED OF ANY CHANGES TO THE DRAWINGS SO THAT THEY CAN BE PURCHASED IN DWG FORMAT.